



**Document Title**  
**4Bank x 1M x 16bits Synchronous DRAM**

**Revision History**

| <b>Revision No.</b> | <b>History</b> | <b>Draft Date</b> | <b>Remark</b> |
|---------------------|----------------|-------------------|---------------|
| 0.1                 | Initial Draft  | Oct. 2003         | Preliminary   |



**Preliminary**  
**HY5Y6B6DLF(P)-xF**  
**4Banks x1M x 16bits Synchronous DRAM**

**DESCRIPTION**

The Hynix Mobile SDR is suited for non-PC application which use the batteries such as PDAs, 2.5G and 3G cellular phones with internet access and multimedia capabilities, mini-notebook, handheld PCs.

The Hynix HY5Y6B6DLF(P) is a 67,108,864bit CMOS Synchronous Dynamic Random Access Memory. It is organized as 4banks of 1,048,576x16.

The Mobile SDR provides for programmable options including CAS latency of 1, 2 or 3, READ or WRITE burst length of 1, 2, 4, 8, or full page, and the burst count sequence(sequential or interleave). And the Mobile SDR also provides for special programmable options including Partial Array Self Refresh of a quarter bank, a half bank, 1bank, 2banks, or all banks.

The Hynix HY5Y6B6DLF(P) has the special Low Power function of Auto TCSR(Temperature Compensated Self Refresh) to reduce self refresh current consumption. Since an internal temperature sensor is implanted, it enables to automatically adjust refresh rate according to temperature without external EMRS command. A burst of Read or Write cycles in progress can be terminated by a burst terminate command or can be interrupted and replaced by a new burst Read or Write command on any cycle(This pipelined design is not restricted by a 2N rule).

Deep Power Down Mode is a additional operating mode for Mobile SDR. This mode can achieve maximum power reduction by removing power to the memory array within each SDR. By using this feature, the system can cut off almost all DRAM power without adding the cost of a power switch and giving up mother-board power-line layout flexibility.

**FEATURES**

**Mobile SDR Protocol**

Internal 4bank operation

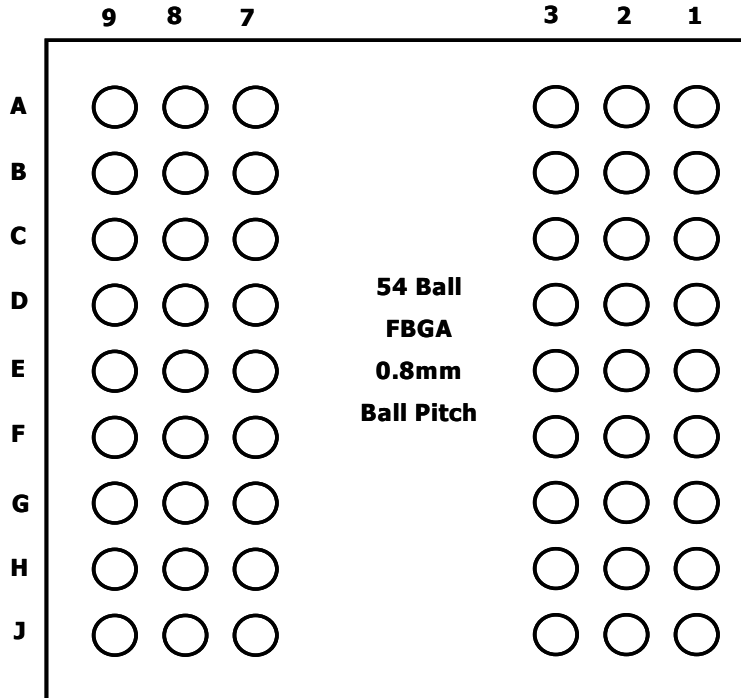
- Power Supply Voltage : VDD = 3.0V, VDDQ = 3.0V
- LVCMOS compatible I/O Interface
- Low Voltage interface to reduce I/O power
- Low Power Features
  - PASR(Partial Array Self Refresh)
  - AUTO TCSR (Temperature Compensated Self Refresh)
  - DS (Drive Strength)
  - Deep Power Down Mode
- Programmable CAS latency of 1, 2 or 3
- Package Type : 54ball, 0.8mm pitch FBGA (Lead Free, Lead)
  - HY5Y6B6DLFP : Lead Free
  - HY5Y6B6DLF : Lead

**ORDERING INFORMATION**

| Part Number      | Clock Frequency | CAS Latency | Organization      | Interface |
|------------------|-----------------|-------------|-------------------|-----------|
| HY5Y6B6DLF(P)-HF | 133MHz          | 3           | 4banks x 1Mb x 16 | LVCMOS    |
| HY5Y6B6DLF(P)-PF | 105MHz          | 2           |                   |           |

This document is a general product description and is subject to change without notice. Hynix does not assume any responsibility for use of circuits described. No patent licenses are implied.

**BALL DESCRIPTION**



**<Bottom View>**

| 1    | 2    | 3    |   | 7    | 8    | 9   |
|------|------|------|---|------|------|-----|
| VSS  | DQ15 | VSSQ | A | VDDQ | DQ0  | VDD |
| DQ14 | DQ13 | VDDQ | B | VSSQ | DQ2  | DQ1 |
| DQ12 | DQ11 | VSSQ | C | VDDQ | DQ4  | DQ3 |
| DQ10 | DQ9  | VDDQ | D | VSSQ | DQ6  | DQ5 |
| DQ8  | NC   | VSS  | E | VDD  | LDQM | DQ7 |
| UDQM | CLK  | CKE  | F | /CAS | /RAS | /WE |
| NC   | A11  | A9   | G | BA0  | BA1  | /CS |
| A8   | A7   | A6   | H | A0   | A1   | A10 |
| VSS  | A5   | A4   | J | A3   | A2   | VDD |

**< Top View >**

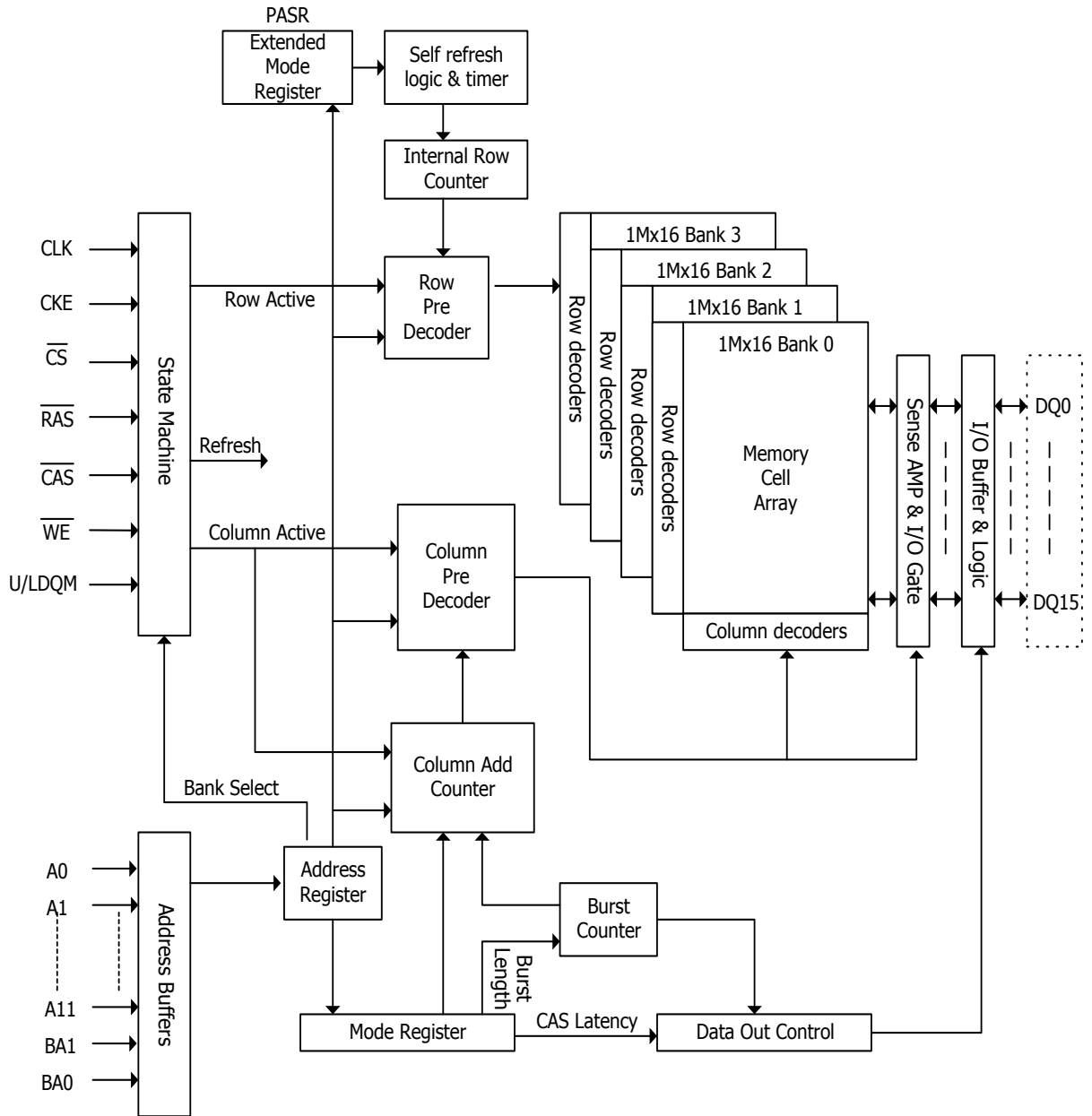


**Preliminary**  
**HY5Y6B6DLF(P)-xF**  
**4Banks x 1M x 16bits Synchronous DRAM**

### BALL DESCRIPTION

| Ball Out   | SYMBOL  | TYPE   | DESCRIPTION  |
|--|---|--------|--|
| F2   | CLK   | INPUT  | Clock : The system clock input. All other inputs are registered to the SDR on the rising edge of CLK   |
| F3   | CKE   | INPUT  | Clock Enable : Controls internal clock signal and when deactivated, the SDR will be one of the states among (deep) power down, suspend or self refresh |
| G9   | $\overline{CS}$                                       | INPUT  | Chip Select : Enables or disables all inputs except CLK, CKE, UDQM and LDQM  |
| G7,G8  | BA0, BA1  | INPUT  | Bank Address : Selects bank to be activated during $\overline{RAS}$ activity<br>Selects bank to be read/written during $\overline{CAS}$ activity       |
| H7, H8, J8, J7,<br>J3, J2, H3, H2,<br>H1, G3, H9,<br>G2                    | A0 ~ A11  | INPUT  | Row Address : RA0 ~ RA11, Column Address : CA0 ~ CA7<br>Auto-precharge flag : A10  |
| F8, F7, F9   | $\overline{RAS}$ , $\overline{CAS}$ , $\overline{WE}$ | INPUT  | Command Inputs : $\overline{RAS}$ , $\overline{CAS}$ and $\overline{WE}$ define the operation<br>Refer function truth table for details                |
| F1, E8   | UDQM, LDQM  | INPUT  | Data Mask : Controls output buffers in read mode and masks input data in write mode  |
| A8, B9, B8,<br>C9, C8, D9,<br>D8, E9, E1,<br>D2, D1, C2,<br>C1, B2, B1, A2 | DQ0 ~ DQ15  | I/O    | Data Input/Output : Multiplexed data input/output pin  |
| A9, E7, J9, A1,<br>E3, J1  | VDD/VSS   | SUPPLY | Power supply for internal circuits   |
| A7, B3, C7, D3,<br>A3, B7, C3, D7  | VDDQ/VSSQ   | SUPPLY | Power supply for output buffers  |
| E2, G1   | NC  | -      | No connection  |

**FUNCTIONAL BLOCK DIAGRAM**  
**1Mbit x 4banks x 16 I/O Low Power Synchronous DRAM**



## BASIC FUNCTIONAL DESCRIPTION

### Mode Register

|     |     |     |     |         |    |    |             |    |    |    |              |    |    |
|-----|-----|-----|-----|---------|----|----|-------------|----|----|----|--------------|----|----|
| BA1 | BA0 | A11 | A10 | A9      | A8 | A7 | A6          | A5 | A4 | A3 | A2           | A1 | A0 |
| 0   | 0   | 0   | 0   | OP Code | 0  | 0  | CAS Latency |    |    | BT | Burst Length |    |    |

#### OP Code

| A9 | Write Mode                  |
|----|-----------------------------|
| 0  | Burst Read and Burst Write  |
| 1  | Burst Read and Single Write |

#### Burst Type

| A3 | Burst Type |
|----|------------|
| 0  | Sequential |
| 1  | Interleave |

#### CAS Latency

| A6 | A5 | A4 | CAS Latency |
|----|----|----|-------------|
| 0  | 0  | 0  | Reserved    |
| 0  | 0  | 1  | 1           |
| 0  | 1  | 0  | 2           |
| 0  | 1  | 1  | 3           |
| 1  | 0  | 0  | Reserved    |
| 1  | 0  | 1  | Reserved    |
| 1  | 1  | 0  | Reserved    |
| 1  | 1  | 1  | Reserved    |

#### Burst Length

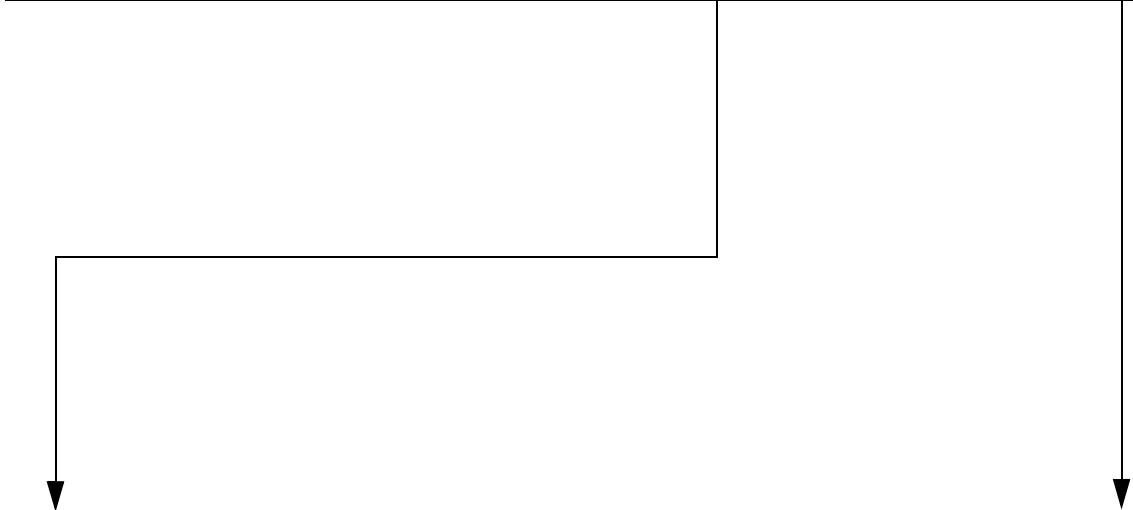
| A2 | A1 | A0 | Burst Length |          |
|----|----|----|--------------|----------|
|    |    |    | A3 = 0       | A3 = 1   |
| 0  | 0  | 0  | 1            | 1        |
| 0  | 0  | 1  | 2            | 2        |
| 0  | 1  | 0  | 4            | 4        |
| 0  | 1  | 1  | 8            | 8        |
| 1  | 0  | 0  | Reserved     | Reserved |
| 1  | 0  | 1  | Reserved     | Reserved |
| 1  | 1  | 0  | Reserved     | Reserved |
| 1  | 1  | 1  | Full page    | Reserved |



**BASIC FUNCTIONAL DESCRIPTION** (Continued)

**Extended Mode Register**

|     |     |     |     |    |    |    |    |    |    |    |      |    |    |
|-----|-----|-----|-----|----|----|----|----|----|----|----|------|----|----|
| BA1 | BA0 | A11 | A10 | A9 | A8 | A7 | A6 | A5 | A4 | A3 | A2   | A1 | A0 |
| 1   | 0   | 0   | 0   | 0  | 0  | 0  | DS |    | 0  | 0  | PASR |    |    |



**DS (Driver Strength)**

| A6 | A5 | Driver Strength |
|----|----|-----------------|
| 0  | 0  | Full            |
| 0  | 1  | 1/2 Strength    |
| 1  | 0  | 1/4 Strength    |
| 1  | 1  | Reserved        |

**PASR (Partial Array Self Refresh)**

| A2 | A1 | A0 | Self Refresh Coverage                              |
|----|----|----|--|
| 0  | 0  | 0  | All Banks  |
| 0  | 0  | 1  | Half of Total Bank (BA1=0 or Bank 0,1)             |
| 0  | 1  | 0  | Quarter of Total Bank (BA1=BA0=0 or Bank 0)        |
| 0  | 1  | 1  | Reserved   |
| 1  | 0  | 0  | Reserved   |
| 1  | 0  | 1  | Half of Bank 0(Bank 0 and Row Address MSB=0)       |
| 1  | 1  | 0  | Quarter of Bank 0(Bank 0 and Row Address 2 MSBs=0) |
| 1  | 1  | 1  | Reserved   |

### **Power Up and Initialization**

Like a Synchronous DRAM, Mobile SDR must be powered up and initialized in a predefined manner. Power must be applied to VDD and VDDQ(simultaneously). The clock signal must be started at the same time. After power up, an initial pause of 200 usec is required. And a precharge all command will be issued to the Mobile SDR. Then, 8 or more Auto refresh cycles will be provided. After the Auto refresh cycles are completed, a mode register set(MRS) command will be issued to program the specific mode of operation (Cas Latency, Burst length, etc.) And a extended mode register set command will be issued to program specific mode of self refresh operation(PASR). The following these cycles, the Mobile SDR is ready for normal operation.

### **Programming the registers**

#### **Mode Register**

The mode register contains the specific mode of operation of the Mobile SDR. This register includes the selection of a burst length(1, 2, 4, 8, Full Page), a cas latency(1, 2 or 3), a burst type. The mode register set must be done before any activate command after the power up sequence. Any contents of the mode register be altered by re-programming the mode register through the execution of mode register set command.

#### **Extended Mode Register**

The extended mode register contains the specific features of self refresh operation of the Mobile SDR. This register includes the selection of partial arrays to be refreshed(half array, quarter array, etc.). The extended mode register set must be done before any activate command after the power up sequence. Any contents of the mode register be altered by re-programming the mode register through the execution of extended mode register set command.

#### **Bank(Row) Active**

The Bank Active command is used to activate a row in a specified bank of the device. This command is initiated by activating  $\overline{CS}$ ,  $\overline{RAS}$  and deasserting  $\overline{CAS}$ ,  $\overline{WE}$  at the positive edge of the clock. The value on the BA1 and BA0 selects the bank, and the value on the A0-A11 selects the row. This row remains active for column access until a precharge command is issued to that bank. Read and write operations can only be initiated on this activated bank after the minimum tRCD time is passed from the activate command.

#### **Read**

The READ command is used to initiate the burst read of data. This command is initiated by activating  $\overline{CS}$ ,  $\overline{CAS}$ , and deasserting  $\overline{WE}$ ,  $\overline{RAS}$  at the positive edge of the clock. BA1 and BA0 inputs select the bank, A7-A0 address inputs select the starting column location. The value on input A10 determines whether or not Auto Precharge is used. If Auto Precharge is selected the row being accessed will be precharged at the end of the READ burst; if Auto Precharge is not selected, the row will remain active for subsequent accesses.

The length of burst and the CAS latency will be determined by the values programmed during the MRS command.

#### **Write**

The WRITE command is used to initiate the burst write of data. This command is initiated by activating  $\overline{CS}$ ,  $\overline{CAS}$ ,  $\overline{WE}$  and deasserting  $\overline{RAS}$  at the positive edge of the clock. BA1 and BA0 inputs select the bank, A7-A0 address inputs select the starting column location. The value on input A10 determines whether or not Auto Precharge is used.

If Auto Precharge is selected the row being accessed will be precharged at the end of the WRITE burst; if Auto Precharge is not selected, the row will remain active for subsequent accesses.



### **Precharge**

The Precharge command is used to close the open row in a particular bank or the open row in all banks. When the precharge command is issued with address A10, high, then all banks will be precharged, and If A10 is low, the open row in a particular bank will be precharged. The bank(s) will be available when the minimum tRP time is met after the precharge command is issued.

### **Auto Precharge**

The Auto Precharge command is issued to close the open row in a particular bank after READ or WRITE operation. If A10 is high when a READ or WRITE command is issued, the READ or WRITE with Auto Precharge is initiated.

### **Burst Termination**

The Burst Termination is used to terminate the burst operation. This function can be accomplished by asserting a Burst Stop command or a Precharge command during a burst READ or WRITE operation. The Precharge command interrupts a burst cycle and close the active bank, and the Burst Stop command terminates the existing burst operation leave the bank open.

### **Data Mask**

The Data Mask command is used to mask READ or WRITE data. During a READ operation, When this command is issued, data outputs are disabled and become high impedance after two clock delay. During a WRITE operation, When this command is issued, data inputs can't be written with no clock delay.

### **Clock Suspend**

The Clock Suspend command is used to suspend the internal clock of Mobile SDR. During normal access mode, CKE is keeping High. When CKE is low, it freezes the internal clock and extends data Read and Write operations.

### **Power Down**

The Power Down command is used to reduce standby current. Before this command is issued, all banks must be precharged and tRP must be passed after a precharge command. Once the Power Down command is initiated by keeping CKE low, all of the input buffer except CKE are gated off.

### **Auto Refresh**

The Auto Refresh command is used during normal operation and is similar to CBR refresh in Conventional DRAMs. This command must be issued each time a refresh is required. When an Auto Refresh command is issued, the address bits is "Don't care", because the specific address bits is generated by internal refresh address counter.

### **Self Refresh**

The Self Refresh command is used to retain cell data in the Mobile SDR. In the Self Refresh mode, the Mobile SDR operates refresh cycle asynchronously.

The Self Refresh command is initiated like an Auto Refresh command except CKE is disabled(Low). The Mobile SDR can accomplish a special Self Refresh operation by the specific modes(PASR) programmed in extended mode registers. The Mobile SDR can control the refresh rate automatically by the temperature value of Auto TCSR(Temperature Compensated Self Refresh) to reduce self refresh current and select the memory array to be refreshed by the value of PASR(Partial Array Self Refresh). The Mobile SDR can reduce the self refresh current(IDD6) by using these two modes.

### **Deep Power Down**

The Deep Power Down Mode is used to achieve maximum power reduction by cutting the power of the whole memory array of the devices.

For more information, see the special operation for Low Power consumption of this data sheet.



**COMMAND TRUTH TABLE**

| Function                   | CKEn-1 | CKEn | $\overline{CS}$ | $\overline{RAS}$ | $\overline{CAS}$ | $\overline{WE}$ | ADDR        | A10/<br>AP | BA<br>0,1 | Note |
|----------------------------|--------|------|-----------------|------------------|------------------|-----------------|-------------|------------|-----------|------|
| Mode Register Set          | H      | X    | L               | L                | L                | L               | OP CODE     |            |           | 2    |
| Extended Mode Register Set | H      | X    | L               | L                | L                | L               | OP CODE     |            |           | 2    |
| No Operation               | H      | X    | L               | H                | H                | H               | X           |            |           |      |
| Device Deselect            | H      | X    | H               | X                | X                | X               | X           |            |           |      |
| Bank Active                | H      | X    | L               | L                | H                | H               | Row Address |            | V         |      |
| Read                       | H      | X    | L               | H                | L                | H               | Column      | L          | V         |      |
| Read with Autoprecharge    | H      | X    | L               | H                | L                | H               | Column      | H          | V         |      |
| Write                      | H      | X    | L               | H                | L                | L               | Column      | L          | V         |      |
| Write with Autoprecharge   | H      | X    | L               | H                | L                | L               | Column      | H          | V         |      |
| Precharge All Banks        | H      | X    | L               | L                | H                | L               | X           | H          | X         |      |
| Precharge selected Bank    | H      | X    | L               | L                | H                | L               | X           | L          | V         |      |
| Burst stop                 | H      | X    | L               | H                | H                | L               | X           |            |           |      |
| Auto Refresh               | H      | H    | L               | L                | L                | H               | X           |            |           |      |
| Self Refresh Entry         | H      | L    | L               | L                | L                | H               | X           |            |           |      |
| Self Refresh Exit          | L      | H    | H               | X                | X                | X               | X           |            |           | 1    |
|                            |        |      | L               | H                | H                | H               |             |            |           |      |
| Precharge Power Down Entry | H      | L    | H               | X                | X                | X               | X           |            |           |      |
|                            |        |      | L               | H                | H                | H               |             |            |           |      |
| Precharge Power Down Exit  | L      | H    | H               | X                | X                | X               | X           |            |           |      |
|                            |        |      | L               | H                | H                | H               |             |            |           |      |
| Clock Suspend Entry        | H      | L    | H               | X                | X                | X               | X           |            |           |      |
|                            |        |      | L               | V                | V                | V               |             |            |           |      |
| Clock Suspend Exit         | L      | H    | X               |                  |                  |                 | X           |            |           |      |
| Deep Power Down Entry      | H      | L    | L               | H                | H                | L               | X           |            |           |      |
| Deep Power Down Exit       | L      | H    | X               |                  |                  |                 | X           |            |           |      |

Note : 1. Exiting Self Refresh occurs by asynchronously bringing CKE from low to high.  
 2. BA1/BA0 must be issued 0/0 in the mode register set, and 1/0 in the extended mode register set.



## DQM TRUTH TABLE

| Function  | CKEn-1 | CKEn | LDQM | UDQM |
|---|--------|------|------|------|
| Data Write/Output enable  | H      | X    | L    | L    |
| Data Mask/Output disable  | H      | X    | H    | H    |
| Lower byte write/Output enable,<br>Upper byte mask/Output disable | H      | X    | L    | H    |
| Lower byte Mask/Output disable,<br>Upper byte write/Output enable | H      | X    | H    | L    |

Note : 1. H: High Level, L: Low Level, X: Don't Care  
2. Write DQM Latency is 0 CLK and Read DQM Latency is 2 CLK



**Preliminary  
HY5Y6B6DLF(P)-xF  
4Banks x 1M x 16bits Synchronous DRAM**

**CURRENT STATE TRUTH TABLE** (Sheet 1 of 4)

| Current State | Command                |                         |                         |                        |         |              | Action               | Notes                                       |             |
|---------------|------------------------|-------------------------|-------------------------|------------------------|---------|--------------|----------------------|---|-------------|
|               | $\overline{\text{CS}}$ | $\overline{\text{RAS}}$ | $\overline{\text{CAS}}$ | $\overline{\text{WE}}$ | BA0/BA1 | A11-A0       |                      |   | Description |
| idle          | L                      | L                       | L                       | L                      |         | OP CODE      | Mode Register Set    | Set the Mode Register                       | 14          |
|               | L                      | L                       | L                       | H                      | X       | X            | Auto or Self Refresh | Start Auto or Self Refresh                  | 5           |
|               | L                      | L                       | H                       | L                      | BA      | X            | Precharge            | No Operation                                |             |
|               | L                      | L                       | H                       | H                      | BA      | Row Add.     | Bank Activate        | Activate the specified bank and row         |             |
|               | L                      | H                       | L                       | L                      | BA      | Col Add. A10 | Write/WriteAP        | ILLEGAL                                     | 4           |
|               | L                      | H                       | L                       | H                      | BA      | Col Add. A10 | Read/ReadAP          | ILLEGAL                                     | 4           |
|               | L                      | H                       | H                       | H                      | X       | X            | No Operation         | No Operation                                | 3           |
|               | H                      | X                       | X                       | X                      | X       | X            | Device Deselect      | No Operation or Power Down                  | 3           |
| Row Active    | L                      | L                       | L                       | L                      |         | OP CODE      | Mode Register Set    | ILLEGAL                                     | 13,14       |
|               | L                      | L                       | L                       | H                      | X       | X            | Auto or Self Refresh | ILLEGAL                                     | 13          |
|               | L                      | L                       | H                       | L                      | BA      | X            | Precharge            | Precharge                                   | 7           |
|               | L                      | L                       | H                       | H                      | BA      | Row Add.     | Bank Activate        | ILLEGAL                                     | 4           |
|               | L                      | H                       | L                       | L                      | BA      | Col Add. A10 | Write/WriteAP        | Start Write : optional AP(A10=H)            | 6           |
|               | L                      | H                       | L                       | H                      | BA      | Col Add. A10 | Read/ReadAP          | Start Read : optional AP(A10=H)             | 6           |
|               | L                      | H                       | H                       | H                      | X       | X            | No Operation         | No Operation                                |             |
|               | H                      | X                       | X                       | X                      | X       | X            | Device Deselect      | No Operation                                |             |
| Read          | L                      | L                       | L                       | L                      |         | OP CODE      | Mode Register Set    | ILLEGAL                                     | 13,14       |
|               | L                      | L                       | L                       | H                      | X       | X            | Auto or Self Refresh | ILLEGAL                                     | 13          |
|               | L                      | L                       | H                       | L                      | BA      | X            | Precharge            | Termination Burst: Start the Precharge      |             |
|               | L                      | L                       | H                       | H                      | BA      | Row Add.     | Bank Activate        | ILLEGAL                                     | 4           |
|               | L                      | H                       | L                       | L                      | BA      | Col Add. A10 | Write/WriteAP        | Termination Burst: Start Write(optional AP) | 8,9         |
|               | L                      | H                       | L                       | H                      | BA      | Col Add. A10 | Read/ReadAP          | Termination Burst: Start Read(optional AP)  | 8           |
|               | L                      | H                       | H                       | H                      | X       | X            | No Operation         | Continue the Burst                          |             |



**Preliminary  
HY5Y6B6DLF(P)-xF  
4Banks x 1M x 16bits Synchronous DRAM**

**CURRENT STATE TRUTH TABLE** (Sheet 2 of 4)

| Current State             | Command         |                  |                  |                 |         |              | Action               | Notes                                       |             |
|---------------------------|-----------------|------------------|------------------|-----------------|---------|--------------|----------------------|---|-------------|
|                           | $\overline{CS}$ | $\overline{RAS}$ | $\overline{CAS}$ | $\overline{WE}$ | BA0/BA1 | A11-A0       |                      |   | Description |
| Read                      | H               | X                | X                | X               | X       | X            | Device Deselect      | Continue the Burst                          |             |
| Write                     | L               | L                | L                | L               | OP CODE |              | Mode Register Set    | ILLEGAL                                     | 13,14       |
|                           | L               | L                | L                | H               | X       | X            | Auto or Self Refresh | ILLEGAL                                     | 13          |
|                           | L               | L                | H                | L               | BA      | X            | Precharge            | Termination Burst: Start the Precharge      | 10          |
|                           | L               | L                | H                | H               | BA      | Row Add.     | Bank Activate        | ILLEGAL                                     | 4           |
|                           | L               | H                | L                | L               | BA      | Col Add. A10 | Write/WriteAP        | Termination Burst: Start Write(optional AP) | 8           |
|                           | L               | H                | L                | H               | BA      | Col Add. A10 | Read/ReadAP          | Termination Burst: Start Read(optional AP)  | 8,9         |
|                           | L               | H                | H                | H               | X       | X            | No Operation         | Continue the Burst                          |             |
|                           | H               | X                | X                | X               | X       | X            | Device Deselect      | Continue the Burst                          |             |
| Read with Auto Precharge  | L               | L                | L                | L               | OP CODE |              | Mode Register Set    | ILLEGAL                                     | 13,14       |
|                           | L               | L                | L                | H               | X       | X            | Auto or Self Refresh | ILLEGAL                                     | 13          |
|                           | L               | L                | H                | L               | BA      | X            | Precharge            | ILLEGAL                                     | 4,12        |
|                           | L               | L                | H                | H               | BA      | Row Add.     | Bank Activate        | ILLEGAL                                     | 4,12        |
|                           | L               | H                | L                | L               | BA      | Col Add. A10 | Write/WriteAP        | ILLEGAL                                     | 12          |
|                           | L               | H                | L                | H               | BA      | Col Add. A10 | Read/ReadAP          | ILLEGAL                                     | 12          |
|                           | L               | H                | H                | H               | X       | X            | No Operation         | Continue the Burst                          |             |
|                           | H               | X                | X                | X               | X       | X            | Device Deselect      | Continue the Burst                          |             |
| Write with Auto Precharge | L               | L                | L                | L               | OP CODE |              | Mode Register Set    | ILLEGAL                                     | 13,14       |
|                           | L               | L                | L                | H               | X       | X            | Auto or Self Refresh | ILLEGAL                                     | 13          |
|                           | L               | L                | H                | L               | BA      | X            | Precharge            | ILLEGAL                                     | 4,12        |
|                           | L               | L                | H                | H               | BA      | Row Add.     | Bank Activate        | ILLEGAL                                     | 4,12        |
|                           | L               | H                | L                | L               | BA      | Col Add. A10 | Write/WriteAP        | ILLEGAL                                     | 12          |
|                           | L               | H                | L                | H               | BA      | Col Add. A10 | Read/ReadAP          | ILLEGAL                                     | 12          |
|                           | L               | H                | H                | H               | X       | X            | No Operation         | Continue the Burst                          |             |
|                           | H               | X                | X                | X               | X       | X            | Device Deselect      | Continue the Burst                          |             |



**Preliminary  
HY5Y6B6DLF(P)-xF  
4Banks x 1M x 16bits Synchronous DRAM**

**CURRENT STATE TRUTH TABLE** (Sheet 3 of 4)

| Current State    | Command                |                         |                         |                        |             |              | Action               | Notes                                   |             |
|------------------|------------------------|-------------------------|-------------------------|------------------------|-------------|--------------|----------------------|---|-------------|
|                  | $\overline{\text{CS}}$ | $\overline{\text{RAS}}$ | $\overline{\text{CAS}}$ | $\overline{\text{WE}}$ | BA0/<br>BA1 | A11-A0       |                      |   | Description |
| Precharging      | L                      | L                       | L                       | L                      |             | OP CODE      | Mode Register Set    | ILLEGAL                                 | 13,14       |
|                  | L                      | L                       | L                       | H                      | X           | X            | Auto or Self Refresh | ILLEGAL                                 | 13          |
|                  | L                      | L                       | H                       | L                      | BA          | X            | Precharge            | No Operation:<br>Bank(s) idle after tRP |             |
|                  | L                      | L                       | H                       | H                      | BA          | Row Add.     | Bank Activate        | ILLEGAL                                 | 4,12        |
|                  | L                      | H                       | L                       | L                      | BA          | Col Add. A10 | Write/WriteAP        | ILLEGAL                                 | 4,12        |
|                  | L                      | H                       | L                       | H                      | BA          | Col Add. A10 | Read/ReadAP          | ILLEGAL                                 | 4,12        |
|                  | L                      | H                       | H                       | H                      | X           | X            | No Operation         | No Operation:<br>Bank(s) idle after tRP |             |
|                  | H                      | X                       | X                       | X                      | X           | X            | Device Deselect      | No Operation:<br>Bank(s) idle after tRP |             |
| Row Activating   | L                      | L                       | L                       | L                      |             | OP CODE      | Mode Register Set    | ILLEGAL                                 | 13,14       |
|                  | L                      | L                       | L                       | H                      | X           | X            | Auto or Self Refresh | ILLEGAL                                 | 13          |
|                  | L                      | L                       | H                       | L                      | BA          | X            | Precharge            | ILLEGAL                                 | 4,12        |
|                  | L                      | L                       | H                       | H                      | BA          | Row Add.     | Bank Activate        | ILLEGAL                                 | 4,11,12     |
|                  | L                      | H                       | L                       | L                      | BA          | Col Add. A10 | Write/WriteAP        | ILLEGAL                                 | 4,12        |
|                  | L                      | H                       | L                       | H                      | BA          | Col Add. A10 | Read/ReadAP          | ILLEGAL                                 | 4,12        |
|                  | L                      | H                       | H                       | H                      | X           | X            | No Operation         | No Operation: Row<br>Active after tRCD  |             |
|                  | H                      | X                       | X                       | X                      | X           | X            | Device Deselect      | No Operation: Row<br>Active after tRCD  |             |
| Write Recovering | L                      | L                       | L                       | L                      |             | OP CODE      | Mode Register Set    | ILLEGAL                                 | 13,14       |
|                  | L                      | L                       | L                       | H                      | X           | X            | Auto or Self Refresh | ILLEGAL                                 | 13          |
|                  | L                      | L                       | H                       | L                      | BA          | X            | Precharge            | ILLEGAL                                 | 4,13        |
|                  | L                      | L                       | H                       | H                      | BA          | Row Add.     | Bank Activate        | ILLEGAL                                 | 4,12        |
|                  | L                      | H                       | L                       | L                      | BA          | Col Add. A10 | Write/WriteAP        | Start Write:<br>Optional AP(A10=H)      |             |
|                  | L                      | H                       | L                       | H                      | BA          | Col Add. A10 | Read/ReadAP          | Start Read: Optional<br>AP(A10=H)       | 9           |
|                  | L                      | H                       | H                       | H                      | X           | X            | No Operation         | No Operation:<br>Row Active after tDPL  |             |



**Preliminary  
HY5Y6B6DLF(P)-xF  
4Banks x 1M x 16bits Synchronous DRAM**

**CURRENT STATE TRUTH TABLE** (Sheet 4 of 4)

| Current State                        | Command                |                         |                         |                        |         |              | Action               | Notes                                      |             |
|--------------------------------------|------------------------|-------------------------|-------------------------|------------------------|---------|--------------|----------------------|--|-------------|
|                                      | $\overline{\text{CS}}$ | $\overline{\text{RAS}}$ | $\overline{\text{CAS}}$ | $\overline{\text{WE}}$ | BA0/BA1 | A11-A0       |                      |  | Description |
| Write Recovering                     | H                      | X                       | X                       | X                      | X       | X            | Device Deselect      | No Operation:<br>Row Active after tDPL     |             |
| Write Recovering with Auto Precharge | L                      | L                       | L                       | L                      | OP CODE |              | Mode Register Set    | ILLEGAL                                    | 13,14       |
|                                      | L                      | L                       | L                       | H                      | X       | X            | Auto or Self Refresh | ILLEGAL                                    | 13          |
|                                      | L                      | L                       | H                       | L                      | BA      | X            | Precharge            | ILLEGAL                                    | 4,13        |
|                                      | L                      | L                       | H                       | H                      | BA      | Row Add.     | Bank Activate        | ILLEGAL                                    | 4,12        |
|                                      | L                      | H                       | L                       | L                      | BA      | Col Add. A10 | Write/WriteAP        | ILLEGAL                                    | 4,12        |
|                                      | L                      | H                       | L                       | H                      | BA      | Col Add. A10 | Read/ReadAP          | ILLEGAL                                    | 4,9,12      |
|                                      | L                      | H                       | H                       | H                      | X       | X            | No Operation         | No Operation:<br>Precharge after tDPL      |             |
| Refreshing                           | L                      | L                       | L                       | L                      | OP CODE |              | Mode Register Set    | ILLEGAL                                    | 13,14       |
|                                      | L                      | L                       | L                       | H                      | X       | X            | Auto or Self Refresh | ILLEGAL                                    | 13          |
|                                      | L                      | L                       | H                       | L                      | BA      | X            | Precharge            | ILLEGAL                                    | 13          |
|                                      | L                      | L                       | H                       | H                      | BA      | Row Add.     | Bank Activate        | ILLEGAL                                    | 13          |
|                                      | L                      | H                       | L                       | L                      | BA      | Col Add. A10 | Write/WriteAP        | ILLEGAL                                    | 13          |
|                                      | L                      | H                       | L                       | H                      | BA      | Col Add. A10 | Read/ReadAP          | ILLEGAL                                    | 13          |
|                                      | L                      | H                       | H                       | H                      | X       | X            | No Operation         | No Operation:<br>idle after tRC            |             |
| Mode Register Accessing              | L                      | L                       | L                       | L                      | OP CODE |              | Mode Register Set    | ILLEGAL                                    | 13,14       |
|                                      | L                      | L                       | L                       | H                      | X       | X            | Auto or Self Refresh | ILLEGAL                                    | 13          |
|                                      | L                      | L                       | H                       | L                      | BA      | X            | Precharge            | ILLEGAL                                    | 13          |
|                                      | L                      | L                       | H                       | H                      | BA      | Row Add.     | Bank Activate        | ILLEGAL                                    | 13          |
|                                      | L                      | H                       | L                       | L                      | BA      | Col Add. A10 | Write/WriteAP        | ILLEGAL                                    | 13          |
|                                      | L                      | H                       | L                       | H                      | BA      | Col Add. A10 | Read/ReadAP          | ILLEGAL                                    | 13          |
|                                      | L                      | H                       | H                       | H                      | X       | X            | No Operation         | No Operation:<br>idle after 2 clock cycles |             |
|                                      | H                      | X                       | X                       | X                      | X       | X            | Device Deselect      | No Operation:<br>idle after 2 clock cycles |             |

**Note :**

1. H: Logic High, L: Logic Low, X: Don't care, BA: Bank Address, AP: Auto Precharge.
2. All entries assume that CKE was active during the preceding clock cycle.
3. If both banks are idle and CKE is inactive, then in power down cycle
4. Illegal to bank in specified states. Function may be legal in the bank indicated by Bank Address, depending on the state of that bank.
5. If both banks are idle and CKE is inactive, then Self Refresh mode.
6. Illegal if tRCD is not satisfied.
7. Illegal if tRAS is not satisfied.
8. Must satisfy burst interrupt condition.
9. Must satisfy bus contention, bus turn around, and/or write recovery requirements.
10. Must mask preceding data which don't satisfy tDPL.
11. Illegal if tRRD is not satisfied
12. Illegal for single bank, but legal for other banks in multi-bank devices.
13. Illegal for all banks.
14. Mode Register Set and Extended Mode Register Set is same command truth table except BA1.





**CKE Enable(CKE) Truth TABLE** (Sheet 1 of 2)

| Current State   | CKE            |               | Command                |                         |                         |                        |          |        | Action                                 | Notes |
|-----------------|----------------|---------------|------------------------|-------------------------|-------------------------|------------------------|----------|--------|--|-------|
|                 | Previous Cycle | Current Cycle | $\overline{\text{CS}}$ | $\overline{\text{RAS}}$ | $\overline{\text{CAS}}$ | $\overline{\text{WE}}$ | BA0, BA1 | A11-A0 |  |       |
| Self Refresh    | H              | X             | X                      | X                       | X                       | X                      | X        | X      | INVALID                                | 1     |
|                 | L              | H             | H                      | X                       | X                       | X                      | X        | X      | Exit Self Refresh with Device Deselect | 2     |
|                 | L              | H             | L                      | H                       | H                       | H                      | X        | X      | Exit Self Refresh with No Operation    | 2     |
|                 | L              | H             | L                      | H                       | H                       | L                      | X        | X      | ILLEGAL                                | 2     |
|                 | L              | H             | L                      | H                       | L                       | X                      | X        | X      | ILLEGAL                                | 2     |
|                 | L              | H             | L                      | L                       | X                       | X                      | X        | X      | ILLEGAL                                | 2     |
|                 | L              | L             | X                      | X                       | X                       | X                      | X        | X      | Maintain Self Refresh                  |       |
| Power Down      | H              | X             | X                      | X                       | X                       | X                      | X        | X      | INVALID                                | 1     |
|                 | L              | H             | H                      | X                       | X                       | X                      | X        | X      | Power Down mode exit, all banks idle   | 2     |
|                 |                |               | L                      | H                       | H                       | H                      | X        | X      |  |       |
|                 | L              | H             | L                      | L                       | X                       | X                      | X        | X      | ILLEGAL                                | 2     |
|                 |                |               |                        | X                       | X                       | L                      | X        | X      |  |       |
|                 | L              | L             | X                      | X                       | X                       | X                      | X        | X      | Maintain Power Down Mode               |       |
| Deep Power Down | H              | X             | X                      | X                       | X                       | X                      | X        | X      | INVALID                                | 1     |
|                 | L              | H             | X                      | X                       | X                       | X                      | X        | X      | Deep Power Down mode exit              | 5     |
|                 | L              | L             | X                      | X                       | X                       | X                      | X        | X      | Maintain Deep Power Down Mode          |       |



**CKE Enable(CKE) Truth TABLE** (Sheet 2 of 2)

| Current State                     | CKE            |               | Command         |                  |                  |                 |          |            | Action   | Notes |
|-----------------------------------|----------------|---------------|-----------------|------------------|------------------|-----------------|----------|------------|--|-------|
|                                   | Previous Cycle | Current Cycle | $\overline{CS}$ | $\overline{RAS}$ | $\overline{CAS}$ | $\overline{WE}$ | BA0, BA1 | A11-A0     |  |       |
| All Banks Idle                    | H              | H             | H               | X                | X                | X               |          |            | Refer to the idle State section of the Current State Truth Table | 3     |
|                                   | H              | H             | L               | H                | X                | X               |          |            |  | 3     |
|                                   | H              | H             | L               | L                | H                | X               |          |            |  | 3     |
|                                   | H              | H             | L               | L                | L                | H               | X        | X          | Auto Refresh   |       |
|                                   | H              | H             | L               | L                | L                | L               | OP CODE  |            | Mode Register Set  | 4     |
|                                   | H              | L             | H               | X                | X                | X               |          |            | Refer to the idle State section of the Current State Truth Table | 3     |
|                                   | H              | L             | L               | H                | X                | X               |          |            |  | 3     |
|                                   | H              | L             | L               | L                | H                | X               |          |            |  | 3     |
|                                   | H              | L             | L               | L                | L                | H               | X        | X          | Entry Self Refresh   | 4     |
|                                   | H              | L             | L               | L                | L                | L               | OP CODE  |            | Mode Register Set  |       |
| L                                 | X              | X             | X               | X                | X                | X               | X        | Power Down | 4  |       |
| Any State other than listed above | H              | H             | X               | X                | X                | X               | X        | X          | Refer to operations of the Current State Truth Table             |       |
|                                   | H              | L             | X               | X                | X                | X               | X        | X          | Begin Clock Suspend next cycle                                   |       |
|                                   | L              | H             | X               | X                | X                | X               | X        | X          | Exit Clock Suspend next cycle                                    |       |
|                                   | L              | L             | X               | X                | X                | X               | X        | X          | Maintain Clock Suspend   |       |

**Note :**

- For the given current state CKE must be low in the previous cycle.
- When CKE has a low to high transition, the clock and other inputs are re-enabled asynchronously. When exiting power down mode, a NOP (or Device Deselect) command is required on the first positive edge of clock after CKE goes high.
- The address inputs depend on the command that is issued.
- The Precharge Power Down mode, the Self Refresh mode, and the Mode Register Set can only be entered from the all banks idle state.
- When CKE has a low to high transition, the clock and other inputs are re-enabled asynchronously.  
When exiting deep power down mode, a NOP (or Device Deselect) command is required on the first positive edge of clock after CKE goes high and is maintained for a minimum 200usec.

### ABSOLUTE MAXIMUM RATING

| Parameter                          | Symbol    | Rating     | Unit     |
|------------------------------------|-----------|------------|----------|
| Ambient Temperature                | TA        | -25 ~ 70   | °C       |
| Storage Temperature                | TSTG      | -55 ~ 125  | °C       |
| Voltage on Any Pin relative to VSS | VIN, VOUT | -1.0 ~ 4.6 | V        |
| Voltage on VDD relative to VSS     | VDD       | -1.0 ~ 4.6 | V        |
| Voltage on VDDQ relative to VSS    | VDDQ      | -1.0 ~ 4.6 | V        |
| Short Circuit Output Current       | IOS       | 50         | mA       |
| Power Dissipation                  | PD        | 1          | W        |
| Soldering Temperature · Time       | TSOLDER   | 260 · 10   | °C · Sec |

### DC OPERATING CONDITION (TA= -25 to 70°C )

| Parameter            | Symbol | Min  | Typ | Max      | Unit | Note |
|----------------------|--------|------|-----|----------|------|------|
| Power Supply Voltage | VDD    | 2.7  | 3.0 | 3.6      | V    | 1    |
| Power Supply Voltage | VDDQ   | 2.7  | 3.0 | 3.6      | V    | 1, 2 |
| Input High Voltage   | VIH    | 2.2  | -   | VDDQ+0.3 | V    | 1, 2 |
| Input Low Voltage    | VIL    | -0.3 | -   | 0.5      | V    | 1, 2 |

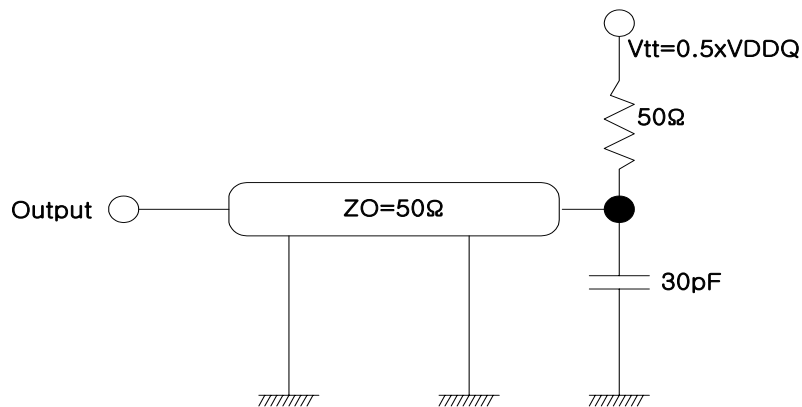
**Note :**

1. All Voltages are referenced to VSS = 0V
2. VDDQ must not exceed the level of VDD

### AC OPERATING TEST CONDITION (TA= -25 to 70 °C, VDD = 2.7~3.0V, VSS = 0V)

| Parameter   | Symbol    | Value    | Unit | Note |
|---|-----------|----------|------|------|
| AC Input High/Low Level Voltage                     | VIH / VIL | 2.4/0.4  | V    |      |
| Input Timing Measurement Reference Level Voltage    | Vtrip     | 0.5*VDDQ | V    |      |
| Input Rise/Fall Time                                | tR / tF   | 1        | ns   |      |
| Output Timing Measurement Reference Level Voltage   | Voutref   | 0.5*VDDQ | V    |      |
| Output Load Capacitance for Access Time Measurement | CL        |          | pF   | 1    |

Note 1.





**Preliminary**  
**HY5Y6B6DLF(P)-xF**  
**4Banks x 1M x 16bits Synchronous DRAM**

**CAPACITANCE** (TA= 25 °C, f=1MHz)

| Parameter                     | Pin  | Symbol | -H  |     | -P  |     | Unit |
|-------------------------------|--|--------|-----|-----|-----|-----|------|
|                               |  |        | Min | Max | Min | Max |      |
| Input capacitance             | CLK  | CI1    | 2   | 4.0 | 2   | 4.0 | pF   |
|                               | A0~A11, BA0, BA1, CKE, $\overline{CS}$ ,<br>RAS, $\overline{CAS}$ , WE, UDQM, LDQM | CI2    | 2   | 4.0 | 2   | 4.0 | pF   |
| Data input/output capacitance | DQ0 ~ DQ15   | CI/O   | 3.5 | 6.0 | 3.5 | 6.0 | pF   |

**DC CHARACTERISTICS I** (TA= -25 to 70°C)

| Parameter              | Symbol | Min      | Max | Unit | Note |
|------------------------|--------|----------|-----|------|------|
| Input Leakage Current  | ILI    | -1       | 1   | uA   | 1    |
| Output Leakage Current | ILO    | -1.5     | 1.5 | uA   | 2    |
| Output High Voltage    | VOH    | VDDQ-0.2 | -   | V    | 3    |
| Output Low Voltage     | VOL    | -        | 0.2 | V    | 4    |

**Note :**

1. VIN = 0 to 3.0V. All other pins are not tested under VIN=0V.
2. DOUT is disabled. VOUT= 0 to 3.6V.
3. IOUT = - 0.1mA
4. IOUT = + 0.1mA



**DC CHARACTERISTICS II** (TA= -25 to 70°C)

| Parameter  | Symbol | Test Condition  | Speed         |     | Unit | Note |
|--|--------|---|---------------|-----|------|------|
|  |        |   | -H            | -P  |      |      |
| Operating Current                                | IDD1   | Burst length=1, One bank active<br>tRC ≥ tRC(min), IOL=0mA  | 60            | 55  | mA   | 1    |
| Precharge Standby Current in Power Down Mode     | IDD2P  | CKE ≤ VIL(max), tCK = 15ns  | 0.6           |     | mA   |      |
|  | IDD2PS | CKE ≤ VIL(max), tCK = ∞   | 0.3           |     | mA   |      |
| Precharge Standby Current in Non Power Down Mode | IDD2N  | CKE ≥ VIH(min), $\overline{CS} \geq VIH(min)$ , tCK = 15ns<br>Input signals are changed one time during 2clks.<br>All other pins ≥ VDD-0.2V or ≤ 0.2V | 10            |     | mA   |      |
|  | IDD2NS | CKE ≥ VIH(min), tCK = ∞<br>Input signals are stable.  | 6             |     |      |      |
| Active Standby Current in Power Down Mode        | IDD3P  | CKE ≤ VIL(max), tCK = 15ns  | 4             |     | mA   |      |
|  | IDD3PS | CKE ≤ VIL(max), tCK = ∞   | 4             |     |      |      |
| Active Standby Current in Non Power Down Mode    | IDD3N  | CKE ≥ VIH(min), $\overline{CS} \geq VIH(min)$ , tCK = 15ns<br>Input signals are changed one time during 2clks.<br>All other pins ≥ VDD-0.2V or ≤ 0.2V | 22            |     | mA   |      |
|  | IDD3NS | CKE ≥ VIH(min), tCK = ∞<br>Input signals are stable.  | 15            |     |      |      |
| Burst Mode Operating Current                     | IDD4   | tCK ≥ tCK(min), IOL=0mA<br>All banks active   | 90            | 70  | mA   | 1    |
| Auto Refresh Current                             | IDD5   | tRC ≥ tRC(min), All banks active  | 135           | 120 | mA   |      |
| Self Refresh Current                             | IDD6   | CKE ≤ 0.2V  | See Next Page |     | mA   | 2    |
| Standby Current in Deep Power Down Mode          | IDD7   | See p.25~26   | 0.1           |     | mA   |      |

**Note :**

1. IDD1 and IDD4 depend on output loading and cycle rates. Specified values are measured with the output open
2. See the tables of next page for more specific IDD6 current values.

- Low Power : HY5Y6B6DLF(P) Series



**DC CHARACTERISTICS III** - Low Power (IDD6)

| Temp.<br>( °C) | Memory Array |         |        | Unit |
|----------------|--------------|---------|--------|------|
|                | 4 Banks      | 2 Banks | 1 Bank |      |
| 70             | 350          | 250     | 200    | μA   |
| 45             | 250          | 180     | 150    | μA   |
| 15             | 150          | 120     | 100    | μA   |

\* HY5Y6B6DLF(P) Series



**AC CHARACTERISTICS I** (AC operating conditions unless otherwise noted)

| Parameter                         |                                   | Symbol | H   |      | P   |      | Unit | Note |
|-----------------------------------|-----------------------------------|--------|-----|------|-----|------|------|------|
|                                   |                                   |        | Min | Max  | Min | Max  |      |      |
| System Clock Cycle Time           | $\overline{\text{CAS}}$ Latency=3 | tCK3   | 7.5 | 1000 | 9.5 | 1000 | ns   |      |
|                                   | $\overline{\text{CAS}}$ Latency=2 | tCK2   | 9.5 |      | 9.5 |      | ns   |      |
| Clock High Pulse Width            |                                   | tCHW   | 2.5 | -    | 3.0 | -    | ns   | 1    |
| Clock Low Pulse Width             |                                   | tCLW   | 2.5 | -    | 3.0 | -    | ns   | 1    |
| Access Time From Clock            | $\overline{\text{CAS}}$ Latency=3 | tAC3   | -   | 5.4  | -   | 7    | ns   | 2    |
|                                   | $\overline{\text{CAS}}$ Latency=2 | tAC2   | -   | 7    | -   | 7    | ns   |      |
| Data-out Hold Time                |                                   | tOH    | 2.0 | -    | 2.0 | -    | ns   |      |
| Data-Input Setup Time             |                                   | tDS    | 2.0 | -    | 2.0 | -    | ns   | 1    |
| Data-Input Hold Time              |                                   | tDH    | 1.0 | -    | 1.0 | -    | ns   | 1    |
| Address Setup Time                |                                   | tAS    | 2.0 | -    | 2.0 | -    | ns   | 1    |
| Address Hold Time                 |                                   | tAH    | 1.0 | -    | 1.0 | -    | ns   | 1    |
| CKE Setup Time                    |                                   | tCKS   | 2.0 | -    | 2.0 | -    | ns   | 1    |
| CKE Hold Time                     |                                   | tCKH   | 1.0 | -    | 1.0 | -    | ns   | 1    |
| Command Setup Time                |                                   | tCS    | 2.0 | -    | 2.0 | -    | ns   | 1    |
| Command Hold Time                 |                                   | tCH    | 1.0 | -    | 1.0 | -    | ns   | 1    |
| CLK to Data Output in Low-Z Time  |                                   | tOLZ   | 1.0 | -    | 1.0 | -    | ns   |      |
| CLK to Data Output in High-Z Time | $\overline{\text{CAS}}$ Latency=3 | tOHZ3  |     | 5.4  |     | 7.0  | ns   |      |
|                                   | $\overline{\text{CAS}}$ Latency=2 | tOHZ2  |     | 7.0  |     | 7.0  | ns   |      |

Note :

1. Assume  $t_R$  /  $t_F$  (input rise and fall time) is 1ns. If  $t_R$  &  $t_F$  > 1ns, then  $[(t_R+t_F)/2-1]$ ns should be added to the parameter.
2. Access time to be measured with input signals of 1V/ns edge rate, from 0.8V to 0.2V. If  $t_R$  > 1ns, then  $(t_R/2-0.5)$ ns should be added to the parameter.



**Preliminary**  
**HY5Y6B6DLF(P)-xF**  
**4Banks x 1M x 16bits Synchronous DRAM**

**AC CHARACTERISTICS II** (AC operating conditions unless otherwise noted)

| Parameter  | Symbol                            | H        |      | P   |      | Unit | Note |  |
|--|-----------------------------------|----------|------|-----|------|------|------|--|
|  |                                   | Min      | Max  | Min | Max  |      |      |  |
| $\overline{\text{RAS}}$ Cycle Time                                   | tRC                               | 65       | -    | 70  | -    | ns   |      |  |
| $\overline{\text{RAS}}$ to $\overline{\text{CAS}}$ Delay             | tRCD                              | 19       | -    | 19  | -    | ns   |      |  |
| $\overline{\text{RAS}}$ Active Time                                  | tRAS                              | 45       | 100K | 50  | 100K | ns   |      |  |
| $\overline{\text{RAS}}$ Precharge Time                               | tRP                               | 19       | -    | 19  | -    | ns   |      |  |
| $\overline{\text{RAS}}$ to $\overline{\text{RAS}}$ Bank Active Delay | tRRD                              | 15       | -    | 19  | -    | ns   |      |  |
| $\overline{\text{CAS}}$ to $\overline{\text{CAS}}$ Delay             | tCCD                              | 1        | -    | 1   | -    | CLK  |      |  |
| Write Command to Data-In Delay                                       | tWTL                              | 0        | -    | 0   | -    | CLK  |      |  |
| Data-in to Precharge Command   | tDPL                              | 2        | -    | 2   | -    | CLK  |      |  |
| Data-In to Active Command  | tDAL                              | tDPL+tRP |      |     |      |      |      |  |
| DQM to Data-Out Hi-Z   | tDQZ                              | 2        | -    | 2   | -    | CLK  |      |  |
| DQM to Data-In Mask  | tDQM                              | 0        | -    | 0   | -    | CLK  |      |  |
| MRS to New Command   | tMRD                              | 2        | -    | 2   | -    | CLK  |      |  |
| Precharge to Data Output High-Z                                      | $\overline{\text{CAS}}$ Latency=3 | tPROZ3   | 3    | -   | 3    | -    | CLK  |  |
|  | $\overline{\text{CAS}}$ Latency=2 | tPROZ2   | 2    | -   | 2    | -    | CLK  |  |
| Power Down Exit Time   | tDPE                              | 1        | -    | 1   | -    | CLK  |      |  |
| Auto Refresh Cycle Time  | tARFC                             | 90       |      | 105 |      | ns   |      |  |
| Self Refresh Exit Time   | tSRE                              | 1        | -    | 1   | -    | CLK  | 1    |  |
| Refresh Time   | tREF                              | -        | 64   | -   | 64   | ms   |      |  |

Note : 1. A new command can be given tRC after self refresh exit.



## Special Operation for Low Power Consumption

### Deep Power Down Mode

Deep Power Down Mode is an operating mode to achieve maximum power reduction by cutting the power of the whole memory array of the devices.

Data will not be retained once the device enters Deep Power Down Mode.

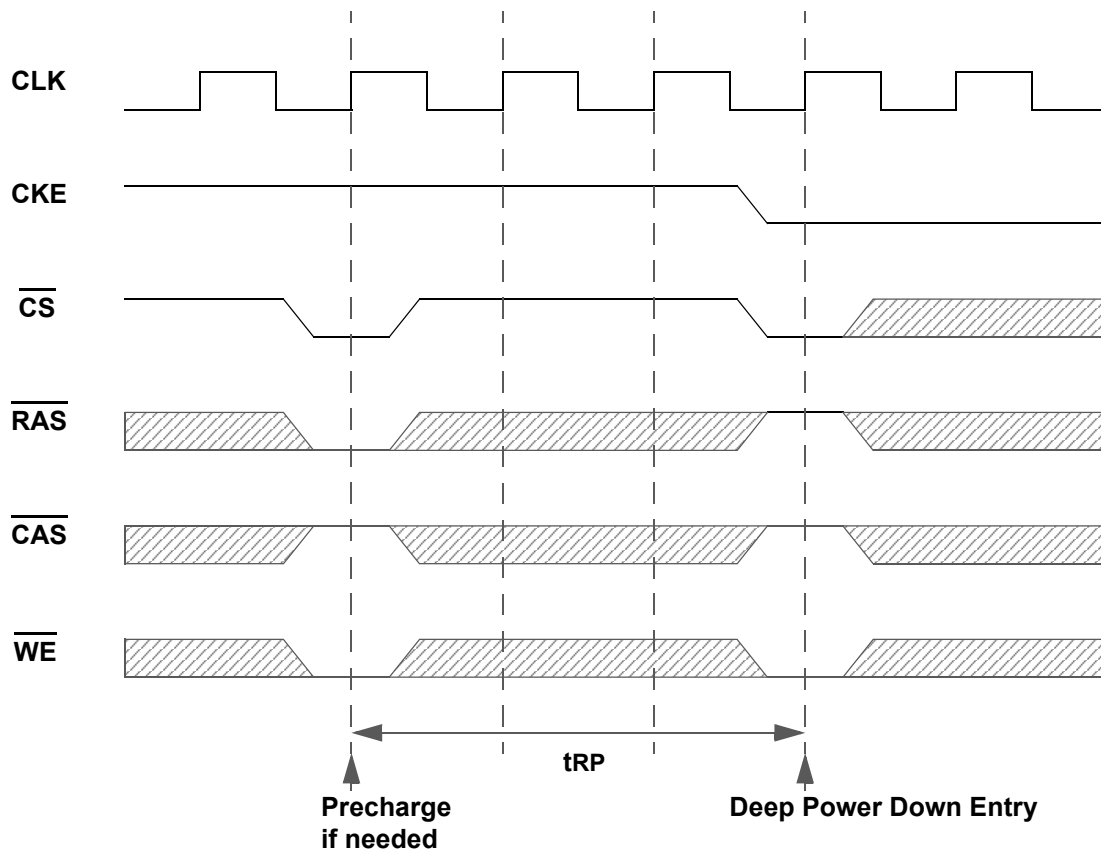
Full initialization is required when the device exits from Deep Power Down Mode.

### Truth Table

| Current State   | Command               | CKE <sub>n-1</sub> | CKE <sub>n</sub> | $\overline{\text{CS}}$ | $\overline{\text{RAS}}$ | $\overline{\text{CAS}}$ | $\overline{\text{WE}}$ |
|-----------------|-----------------------|--------------------|------------------|------------------------|-------------------------|-------------------------|------------------------|
| Idle            | Deep Power Down Entry | H                  | L                | L                      | H                       | H                       | L                      |
| Deep Power Down | Deep Power Down Exit  | L                  | H                | X                      | X                       | X                       | X                      |

### Deep Power Down Mode Entry

The Deep Power Down Mode is entered by having  $\overline{\text{CS}}$  and  $\overline{\text{WE}}$  held low with  $\overline{\text{RAS}}$  and  $\overline{\text{CAS}}$  high at the rising edge of the clock, while CKE is low. The following diagram illustrates deep power down mode entry.



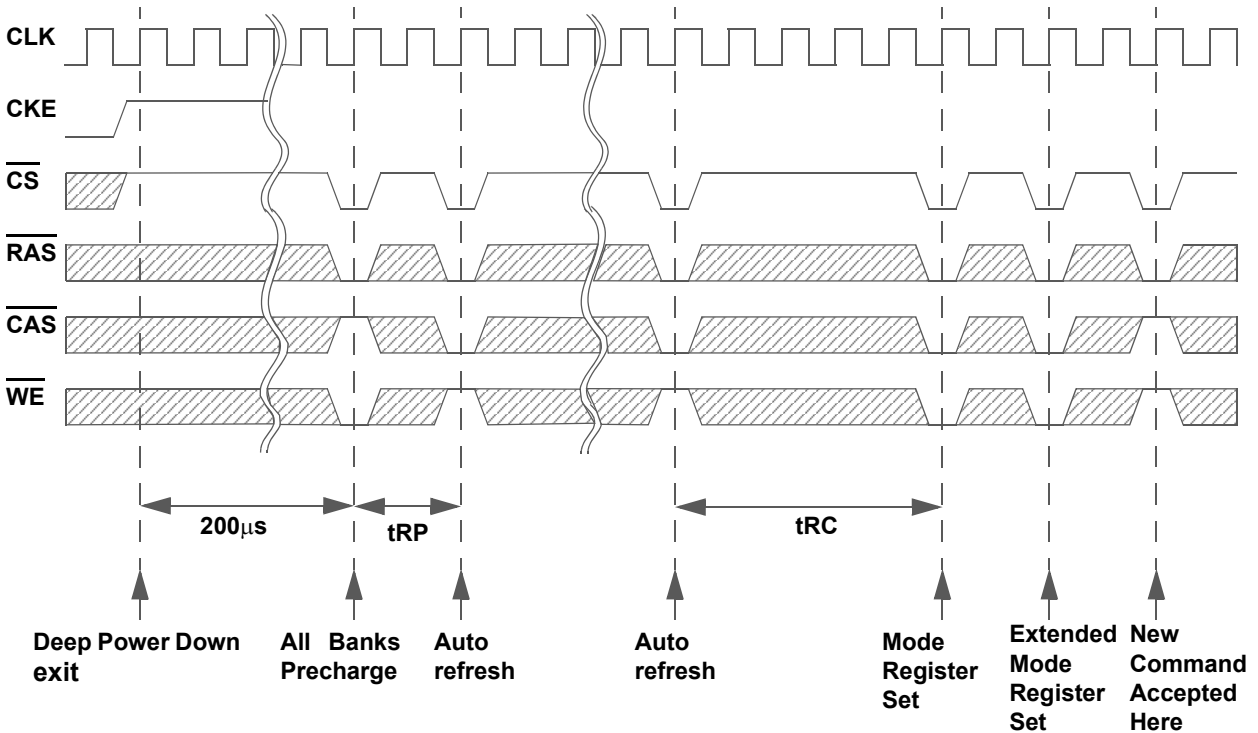
**Deep Power Down Mode (Continued)**

**Deep Power Down Mode Exit Sequence**

The Deep Power Down mode is exited by asserting CKE high.  
 After the exit, the following sequence is needed to enter a new command.

1. Maintain NOP input conditions for a minimum of 200usec
2. Issue precharge commands for all banks of the device
3. Issue 8 or more auto refresh commands
4. Issue a mode register set command to initialize the mode register
5. Issue an extended mode register set command to initialize the extended mode register

The following timing diagram illustrates deep power down mode exit sequence.



**PACKAGE INFORMATION**

**54 Ball 0.8mm pitch 8mm FBGA**

Unit [mm]

